

# Rabbit Live-Trap

by David E. Pitts

**Construction:** This rabbit trap is rather simple and easy to build. The trap door is released when the animal dislodges the “trigger” supporting the door. The swinging door must be long enough to close tightly against the floor to prevent opening from inside.

The door hinge may be made from screw eyes and wire. Another method is to use metal straps fastened to the inside and outside of the door, enclosing the hinge rod or wire.

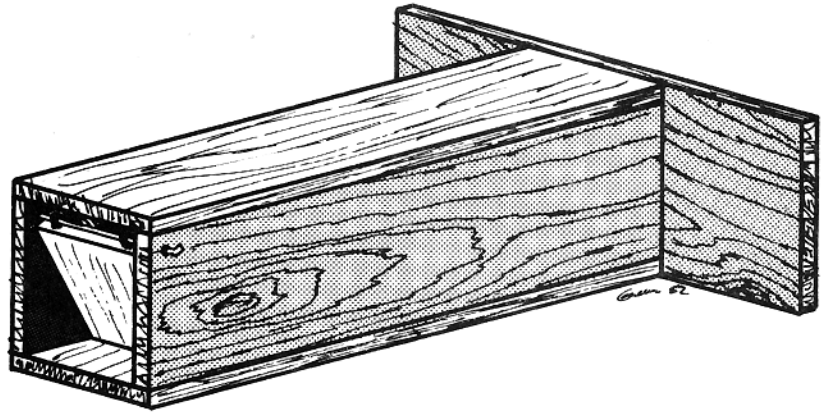
**Location and Operation:** Rabbits live in areas where good escape cover (brushpiles, briars and such) is available. They also prefer low-cut bluegrass mixed with clovers and shrubs. In order to catch rabbits, the box trap must be placed in or along runs or trails made by rabbits using these areas.

Opinions vary as to the importance of baits for the box trap. Some prefer baits such as apples, carrots or corn, while others use no bait at all. Baits may attract other animals, such as opossums and skunks in search of an easy meal.

**Comment:** With a little modification in the size during construction, this trap design may be adapted to catch larger or even smaller animals. Nuisance animals may be trapped and moved to another area, using the box for transport.

**Caution:** These traps must be used in accordance with all rules and regulations of the *Wildlife Code of Missouri*. Certain permits and landowner permission must be obtained before any trapping is done. When in use, the law requires that the traps be checked daily and removed when no longer in use.

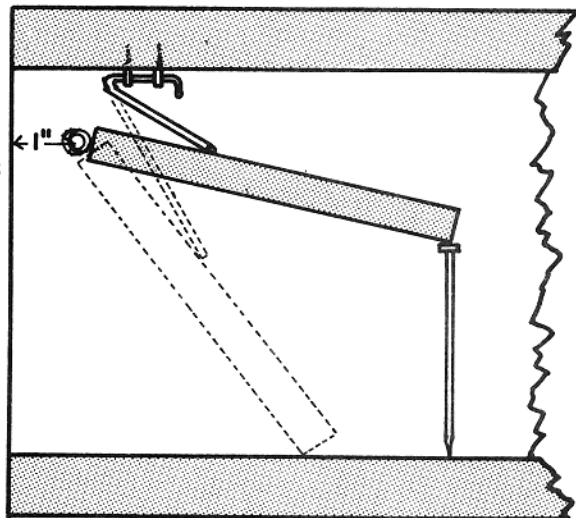
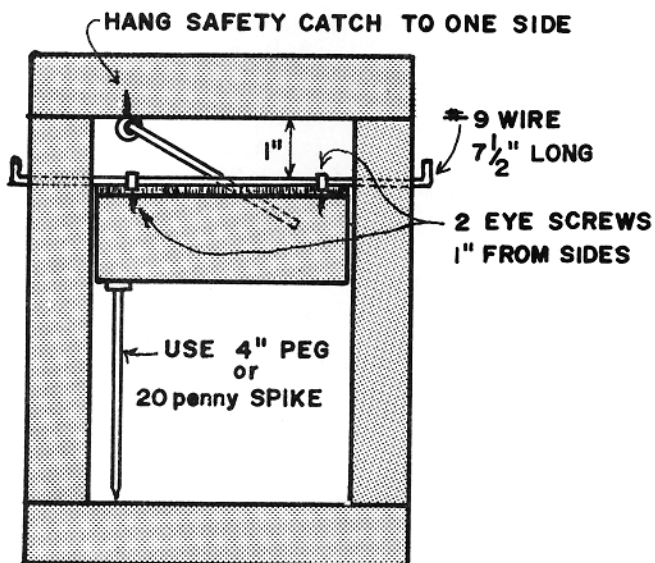
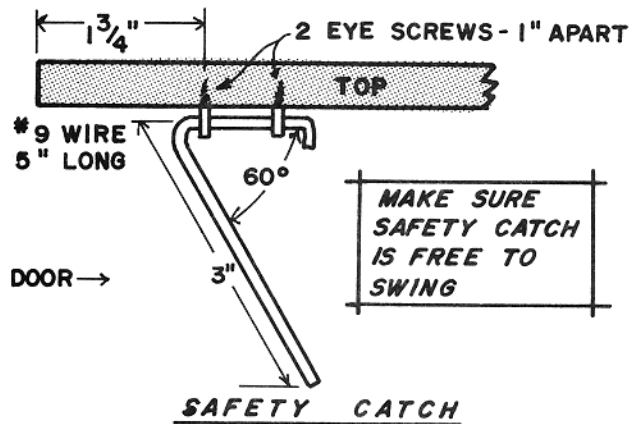
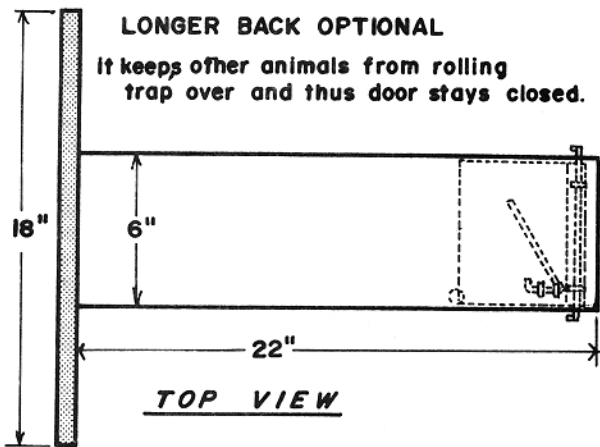
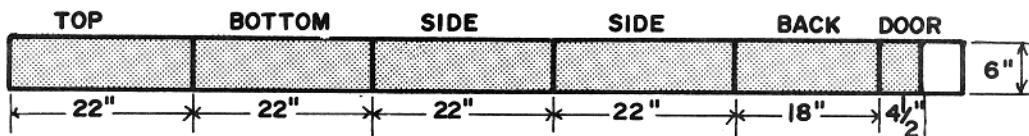
# HOW TO BUILD A RABBIT LIVE-TRAP



Drawings  
by Steve Gum

Missouri Department of Conservation

ALL WOOD PARTS FROM A 1" x 6" x 10' BOARD



FRONT

RIGHT SIDE cut away view